



Multi-Zone Infrared
Hair Color Processor Dryer

User Manual

Introduction

The *SalonPro* Multi-Zone Hair Color Processor is a professional salon-grade dryer with five independent heating heads, O₃ and a cooling function, used to accelerate color processing, perms and hair treatments. It reduces the time needed for mask applications while improving absorption. Quiet and simple to use, the unit features digital controls for easy operation.

The *SalonPro* Multi-Zone Hair Color Processor includes either a floor stand or a wall mounted Swing Arm. This manual covers both configurations.

Warning: Wall mounting should always be performed by a licensed professional. Pay special attention the structural suitability of the mounting surface before proceeding.

Warning: Always keep the dryer free of direct contact with water or moisture.

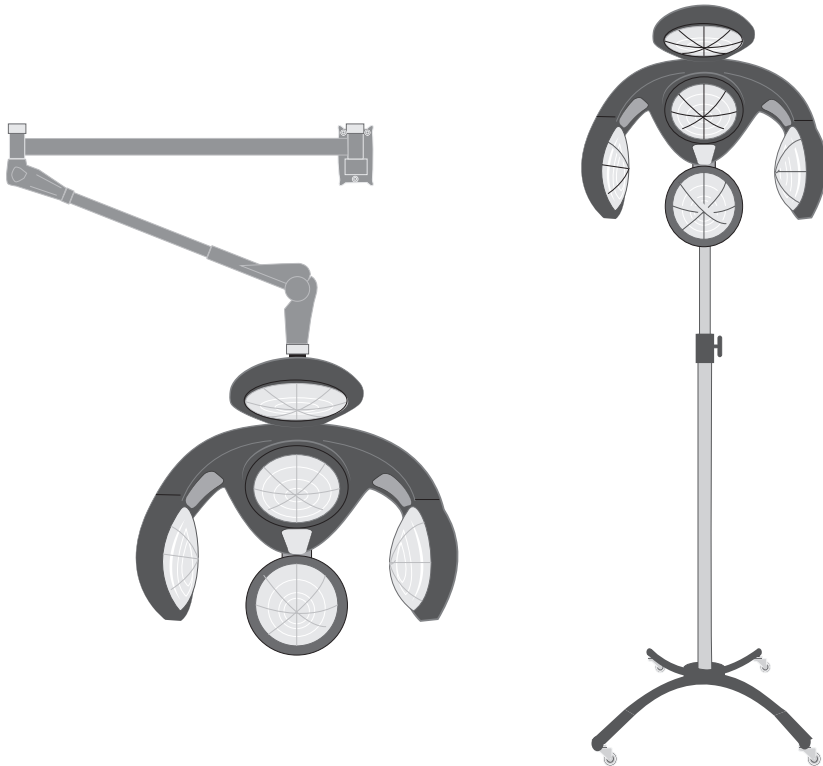
Contents:

Floor Stand Configuration:

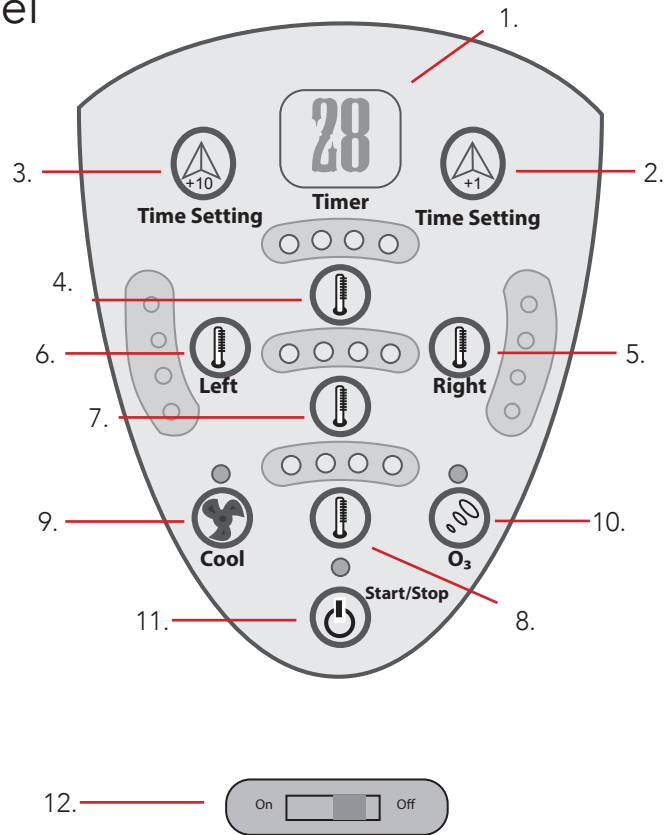
- (1) Multi-Zone Hair Color Processor
- (1) Main Stand Assembly w/ Adjustment Knob
- (1) Inner Extension Tube (Chrome)
- (1) H-Shape Base
- (4) Rubber Wheels/Casters
- (1) Main Bolt/Screw
- (1) Metal Washer For Main Bolt/Screw
- (1) Wrench Tool For Wheels/Casters
- (1) Instruction Manual

Wall Mount System:

- (1) Multi-Zone Hair Color Processor
- (1) Adjustable Wall Mount Arm
- (1) Wall Mount Bracket
- (1) Wall Mount Anchor Kit for Brick, Block or concrete walls. *(For drywall installations, see notes.)*
- (1) Instruction Manual



Control Panel



1. Time Display/Cooling Display.
2. Press once to increase time by one minute.
3. Press once to increase time by ten minutes.

Temperature setting buttons:

4. Left heater
5. Right heater
6. Top heater
7. Bottom heater
8. Back heater
9. Cooling
10. O₃
11. Start/Stop
12. Power Switch

Operation

- 1
 - Connect to power supply.
 - Switch ON the Main Power Switch [12].
 - With "00" visible in the Time Display, the machine is ready for operation.
- 2
 - Use buttons [2] and [3] to set the appropriate time: (Each time button [2] is pressed, it adds one minute. Each time button [3] is pressed, it will add ten minutes.)
 - Use buttons: [4] [5] [6] [7] and [8] to set an appropriate temperature for each Heater – each time a heater button is pressed it will go to the next temperature setting:

LED's:	None	1	2	3	4
Temp:	None	122°F	144°F	163°F	185°F

Note: The temperature may vary slightly depending on the time in use.

- 3
 - Press the O₃ button, [10] when O₃ is required. Press again to stop.
 - Press the COOL button, [11] if cooling is required. Press again to stop.
- 4
 - Press the main START/STOP button, [11] to begin operation.
 - Press the main START/STOP button, [11] again to halt operation.

Important:

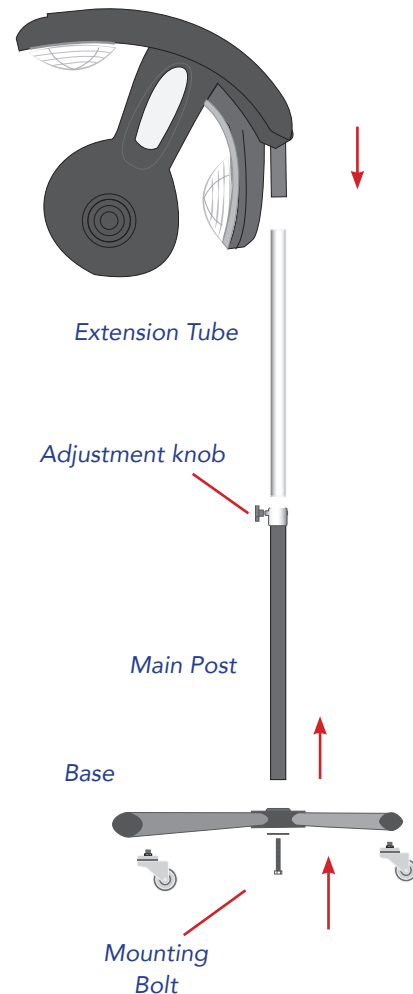
- Always keep client's hair and head at least 4 – 8 inches (10 – 20 cm) from Heater Lamps.
- Always keep the client's head centered between lamps.
- Always rest equipment for at least 15 minutes during each hour of use.

Assembly and Installation

Setting up and attaching the Floor Stand

1

- i. Screw the four wheels/casters into the threaded locations on the base, and tighten with the wrench (supplied).
- i. Insert the mounting bolt with washer (provided) through the bottom of the Base and screw it into the Main Post section.
- i. On the Main Post, loosen the Height Adjustment Knob enough to insert the upper Extension Tube.
- i. Tighten the Adjustment Knob.



2

- Lower the Dryer onto the Stand assembly as shown.

Setting up and attaching the Swing Arm

Warning: This unit requires professional installation by a licensed contractor. Improper installation may result in serious injury or death.

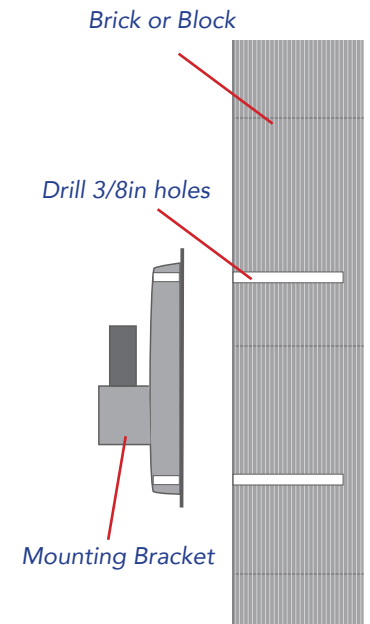
SALONPRO will not be held liable for improper installation of our products.

Wall mounting requires first anchoring the Mounting Bracket to a suitable wall surface. The screws and anchor-bolts supplied are intended for use in brick, block, or concrete walls. For mounting on walls using studs and drywall construction, it may be necessary to add structural backing, or additional framing before proceeding. It is also important to verify the suitability of all hangers, bolts, and screws for any particular installation. **We strongly advise consulting a licensed professional before proceeding.**

Mounting the Wall Bracket

1

- Verify that the wall is well-built and strong enough to carry the load of the bracket and dryer.
- A grounded power outlet (110V/11A) must be available within 2 feet of the installation. Using a circuit with ground-fault-protection is recommended.
- The recommended installation height is 6 ft (1.8m) above floor level, or as required.



Bolt, nut, lock-washer, washer and expansion sleeve

2

To install the Wall Mounting Bracket on a **brick, block or concrete wall**:

- Hold the bracket in place and use a level to ensure it is perfectly vertical.
- Mark the three screws holes.
- Drill holes with a 3/8 in (10.5 mm) diameter, and 2.5 in (65 mm) depth, into the brick or block wall.
- Insert the anchor-bolts with the sleeves, nuts and washers attached.
- Remove the nuts and washers and mount the bracket onto them.
- Replace the washers, lock-washers and nuts in that order.
- Tighten with a wrench to an appropriate

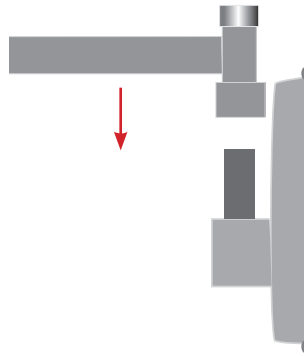
Attaching and Adjusting the Swing-Arm and Dryer.

1

With the Wall Bracket in place and secured:

- Slide the open end of the Swing Arm onto the bracket and slide into place with a little downward pressure.

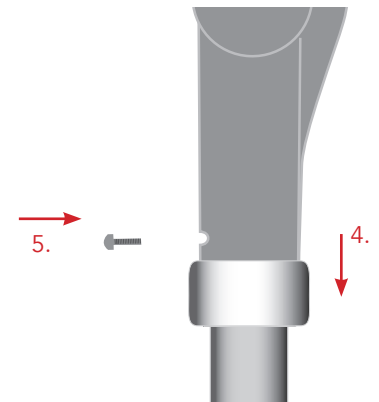
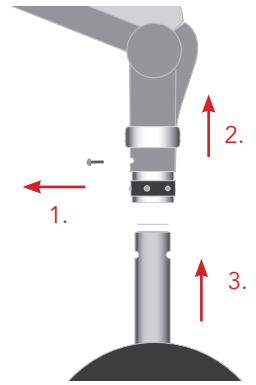
Note: The Swing Arm is spring loaded to compensate for the weight of the Dryer and will not adjust properly until the Dryer is attached.



2

To attach the Dryer:

- Remove the small Phillips lock-screw above the release ring. **1.**
- Hold the Dryer in place, and on the attachment-point of the Swing Arm, pull the release-ring up until the ball-clip is revealed. **2.**
- Slide the attachment post on the dryer into the attachment-point of the Swing Arm, until the ball-clip aligns with the groove on attachment post on the dryer. **3.**
- The release clip may now be returned to its original position, locking the attachment post in place. **4.**
- Replace the locking screw. **5.**
- With the Dryer attached, test for free and easy movement of the Swing Arm.

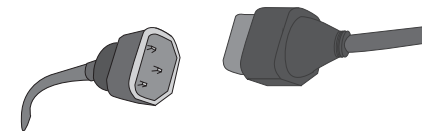


3

- Connect the Power Cable

Note: In some cases, it may be necessary to adjust the counterbalance mechanism or the Max/Min height adjustments on the Swing Arm. See instructions in the next section.

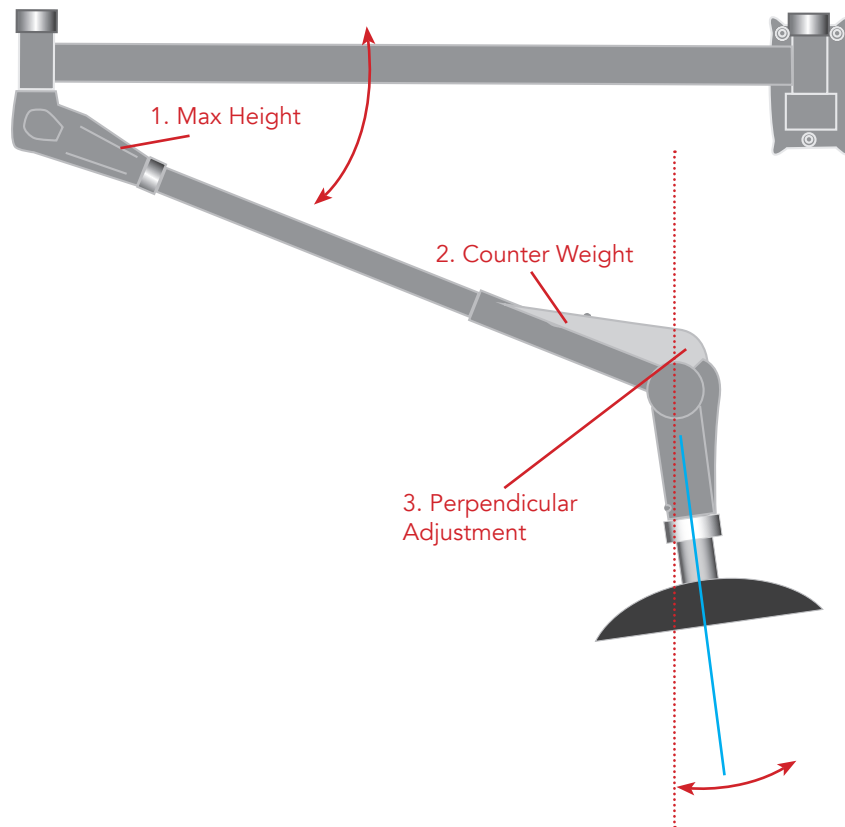
Note: It is important to inspect the Wall Bracket and attachments on a regular basis to ensure proper and safe operation.



Swing Arm Adjustments:

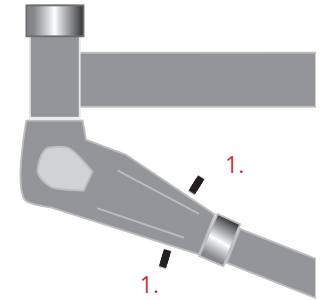
There are three possible adjustments to the swing arm:

1. *Adjust the maximum height* – this can be useful if there is a low ceiling.
2. *Adjust the counter weight force* – use this adjustment if the Dryer Unit tends to drift up or down after being set in position.
3. *Adjust the angle of the dryer attachment head to be perpendicular* – It is important that the Dryer attachment post hangs perpendicular, use this adjustment if required.



To Adjust Maximum Height:

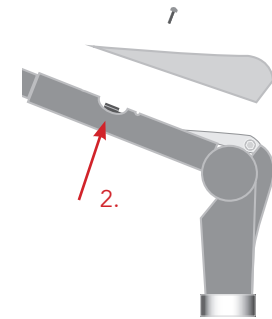
- Remove screws and cover at 1.
- Using a wrench, loosen the locking nut.
- To reduce height limit – turn the adjustment screw anti-clockwise – To increase, turn clockwise.
- Tighten locking nut
- Replace the cover and retaining screws.



To Adjust Counter Weight Force:

With the dryer head attached –

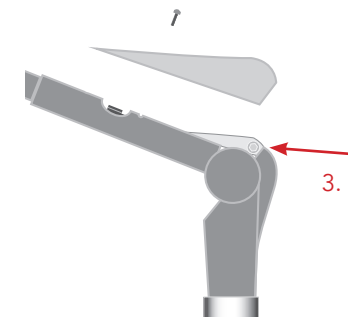
- Remove screw and cover at 2/3.
- Using a metal pin turn the nut 2.
- Test the adjustment by raising or lowering the Dryer Head and releasing – If the Head remains in position the adjustment is correct.
- Replace the cover and retaining screw.



To Adjust The Dryer Head Post For Perpendicular

With the dryer head attached –

- Remove screw and cover at 2/3
- Loosen hex nut 3
- Bring Dryer Unit to a perpendicular position
- Tighten lock nut.
- Replace the cover and retaining screw.



Trouble Shooting

STATUS	REASON	SOLUTION
Unusual fan noise	<ol style="list-style-type: none">1. Foreign object obstructing fan.2. Lack of lubrication to moving parts.3. Fan is impaired by debris build -up.	<ol style="list-style-type: none">1. Check for obstructions.2. Lubricate as necessary.3. Clean as necessary.
Heating element not producing correct heat.	<ol style="list-style-type: none">1. Wrong settings.2. Loose or faulty connection.3. Faulty internal parts.	<ol style="list-style-type: none">1. Adjust settings.2. Re-seat cables.3. Replace parts.
Fan has ceased to function.	Bad processor or relay.	Replace parts.

Technical Specifications

Minimum Operating Space: 42" wide
Arm length (closed): 34"
Arm length (extended): 63"
Mounting height: 6'
Ring diameter: 20"
Voltage: 110 V
Hz: 60 Hz
Wattage: 1350 W

Product Liability Disclaimer, Terms Of Use, Warranty, & Liability Waiver

Millennium Trading LLC offers its products with the terms, conditions and notices as follows. The following terms and conditions apply to all sales and uses. Please review carefully. These terms and conditions include limited warranties and disclaimers of liabilities. Keeping, using or allowing use of Millennium Trading LLC's products indicates your agreement to these terms. If you do not wish to agree to these terms, you have 30 days from the date of purchase to return the unused product.

Terms of use

This product is offered to you conditioned upon your acceptance without modification of the terms, conditions, and notices contained herein.

Exclusive Obligation

Our products are designed for professional use only, and are not designed nor manufactured as a product for lethal purposes. Our products may not be used for unlawful purposes and such use is expressly prohibited under the terms and conditions of its use.

Use limitation

You may not modify, copy, distribute, transmit, display, perform, reproduce, publish, license, create derivative works from, transfer, or sell, any information, software, products or services obtained, from Millennium Trading LLC's website or its products.

Limited Replacement Warranty

This product is warranted against any manufacturer defect for a period of at least six or twelve months from date of purchase, depending on where the product was purchased. If unsure about the warranty period of your product, please contact us.

High Level of Risk

Products sold by Millennium Trading LLC include professional-use equipment used to dry, condition and process color on hair using heat with high temperatures. Use of our products for this purpose can be associated with a high level of risk, especially if used incorrectly. Risks include but are not limited to serious physical injury, burns, disability and/or death. Users of our products choose to do so at their own risk.

Assumption of Risk

By buying, using, or allowing the use of Millennium Trading LLC's products, you understand and agree that professional salon equipment, such as this product can be associated with a high level of risk and, to the extent permitted by law, YOU EXPRESSLY AND VOLUNTARILY ASSUME THE RISK OF DEATH OR OTHER PERSONAL INJURY SUSTAINED WHILE USING OUR PRODUCTS, WHETHER OR NOT CAUSED BY THE NEGLIGENCE OR OTHER FAULT OF Millennium Trading LLC, including but not limited to equipment malfunction from whatever cause, or any other fault of Millennium Trading LLC. Additionally, you agree to indemnify, defend, and hold Millennium Trading LLC harmless from any third party claims arising from such High Risk Uses, or any use or misuse of our products.

Limitation Of Liability

As set forth above under the limited warranty provisions, Millennium Trading LLC's liability is limited to repair or replacement of its products which are returned to it in the specified period of time. In no event shall Millennium Trading LLC's liability exceed the value of the product(s) sold. In no event shall Millennium Trading LLC be liable for any direct, indirect, punitive, incidental, special or consequential damages whatsoever arising out of or connected with the use or misuse of any of its products.

Warning

Use and misuse of products sold by Millennium Trading LLC involves serious risks including injury, disability and death. Purchasers assume all risks.

Inspect Before Each Use

This product must be inspected for use to ensure it has not been damaged in shipment. If damaged, do not use and immediately return the product to Millennium Trading LLC for a replacement.

Entire Obligation

The PRODUCT LIABILITY DISCLAIMER document states the entire obligation of Millennium Trading LLC with respect to the products. If any part of this disclaimer is determined to be void, invalid, unenforceable or illegal, including, but not limited to the warranty disclaimers and liability disclaimers and liability limitations set forth above, then the invalid or unenforceable provision will be deemed superseded by a valid, enforceable provision that most closely matches the intent of the original provision and the remainder of the agreement shall remain in full force and effect.

Applicable Law

Your order from Millennium Trading LLC, and this disclaimer statement are governed by the laws of the state of California, United States. You hereby consent to the exclusive jurisdiction and venue of the Superior Court of San Diego in all disputes arising out of or relating to the use of this product. Use of this product is unauthorized in any jurisdiction that does not give effect to all provisions of these terms and conditions, including without limitation to this paragraph.

Modification of Terms and Conditions

Millennium Trading LLC reserves the right to change the terms, conditions, and notices under which it's products are offered at any time.

SALONPRO

Phone: 888-536-0087

Email: Support@SalonProEquipment.com